

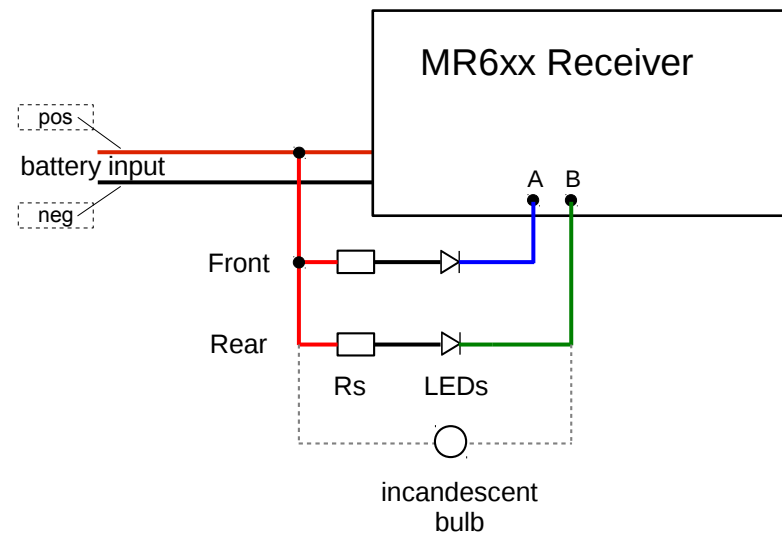
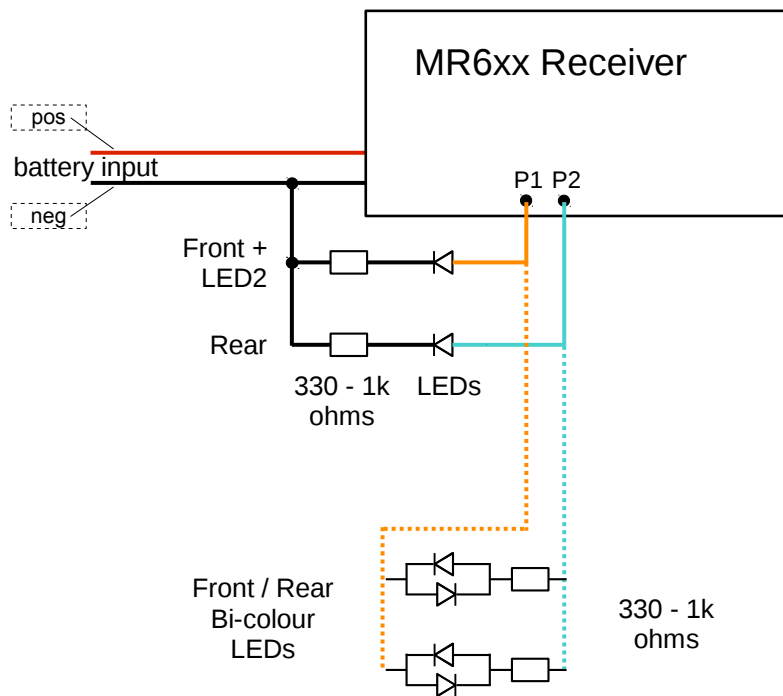
# MR6xx Front & Rear Lights

Micron MR6xx receivers can automatically control directional lighting based on the speed controller direction. This behaviour is in the default configuration (see the receiver configuration table for other setups).

P1 and P2 are low-voltage, low-current outputs – 20mA max current, 0V when off and 3.3V when on. These are suitable for driving LEDs connected from P to negative and with a series resistor – 330-1k ohms is a good range of resistor values for most high brightness LEDs. P1 is front + LED2 and P2 is rear. LED2 repeats the receiver on-board LED until the receiver has connected to its transmitter.

Some receivers (e.g. MR603) also have high current switches: e.g. A, B, C & D, also called F1, F2, F3 and F4. F1/A & F2/B are also configured for front and rear lights, F1/A does not have the LED2 behaviour but it can be enabled by programming. These switches may also be used to control LEDs connected between F1/A or F2/B and battery positive. The series resistor  $R_s$  needs to be calculated for the battery voltage. F1/A & F2/B may also be used to control incandescent bulbs.

The diagrams below do not show a particular receiver, refer to the receiver's user manual for the location of P1, P2, F1/A and F2/B pads.



## Micron Wiring Colours

P1: orange (or yellow)

P2: turquoise

F1/A: blue

F2/B: green

 micron radio control

www.micronradiocontrol.co.uk  
sales@micronradiocontrol.co.uk  
+44 (0)1653 696008